

4

3

2

1

NOTES

a. ALL DIMENSIONS ARE IN INCHES, [] = MM

D

D

C

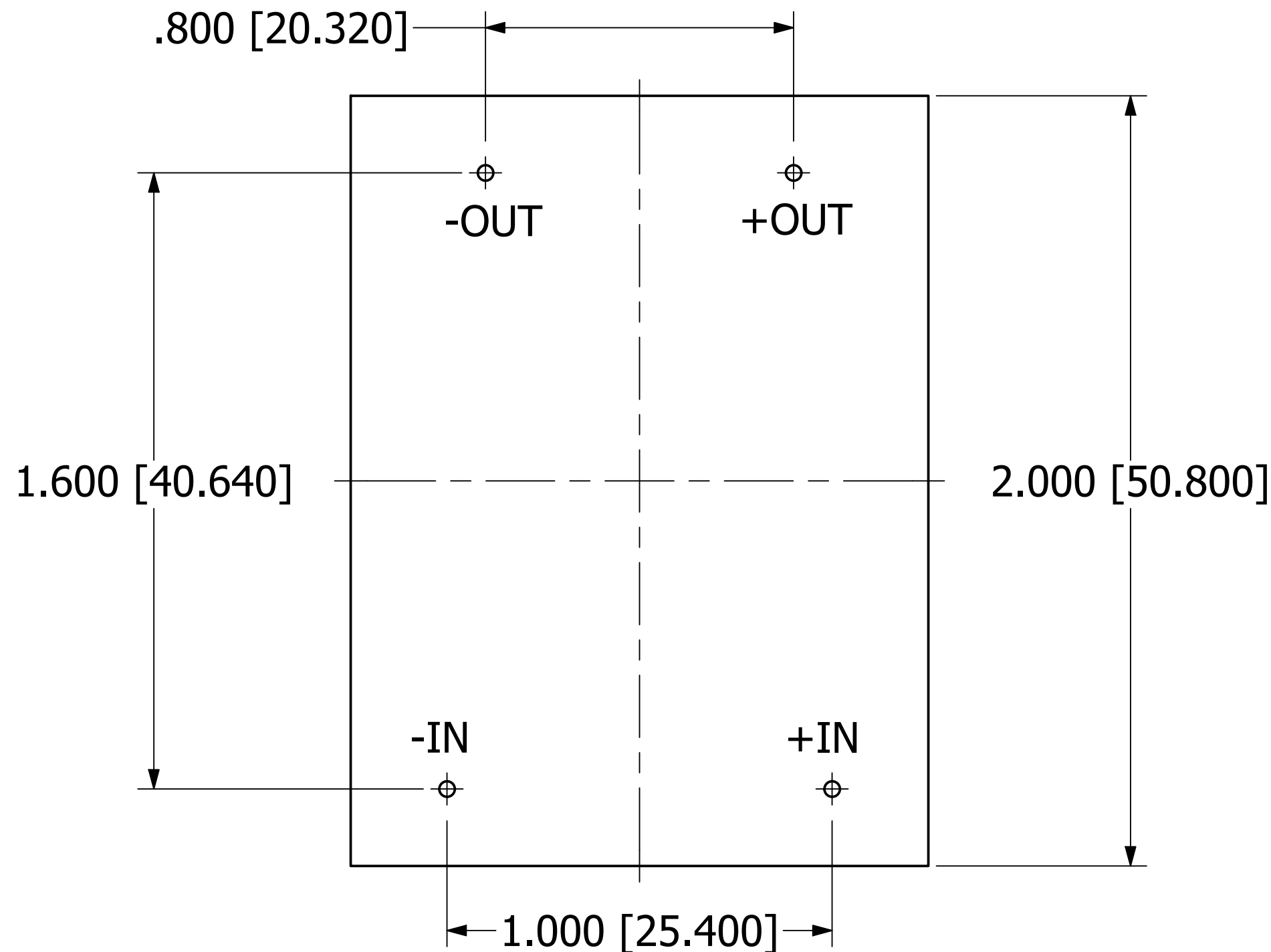
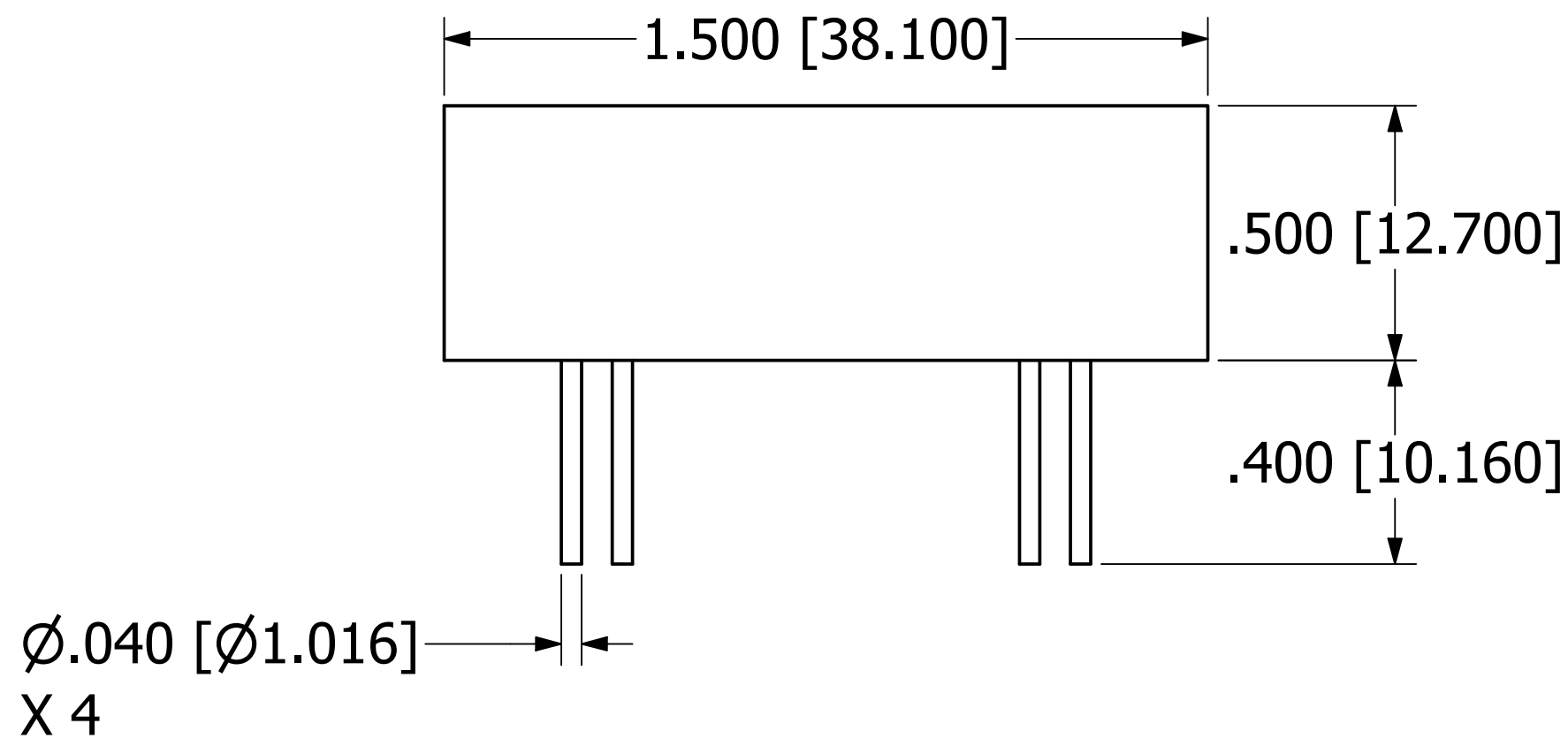
C

B

B

A

A



BOTTOM VIEW

PROPRIETARY AND CONFIDENTIAL

THE INFORMATION CONTAINED IN THIS DRAWING IS THE SOLE PROPERTY OF PICO ELECTRONICS INC. ANY REPRODUCTION IN PART OR AS A WHOLE WITHOUT THE WRITTEN PERMISSION OF PICO ELECTRONICS INC. IS PROHIBITED



DRAWN	P.PALUCH	PICO Electronics 143 Sparks Ave Village of Pelham, NY 10803		
CHECKED	H. VIDAURRE			
QA		SERIES LVB - SINGLE		
MFG				
APPROVED		SIZE	DWG NO	REV
REVISION DATE	06/06/2023	C		1
		SCALE	NTS	www.picoelectronics.com

4

3

2

1